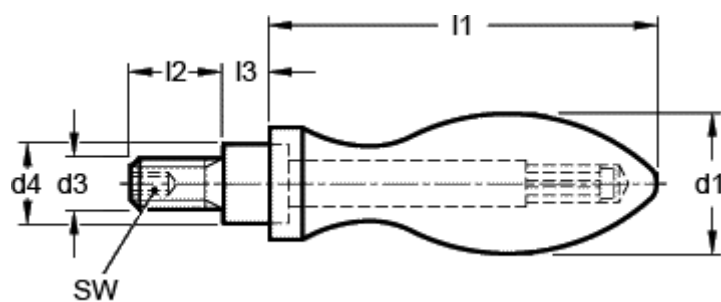


Article number: 20112025

Description: E+G Revolving handle  
DIN 98-KT-25-E

## Measures

---



d1	= 25
d3	= M10
d4 h13	= 16
l1 approx.	= 75
l2	= 14
l3	= 8.0
SW	= 5